

TEAM
**RED
HED**
BRASS MANUFACTURING

PRE-FABRICATED METER PITS

Made of high-density polyethylene and exceptional for use in any non-traffic setting.

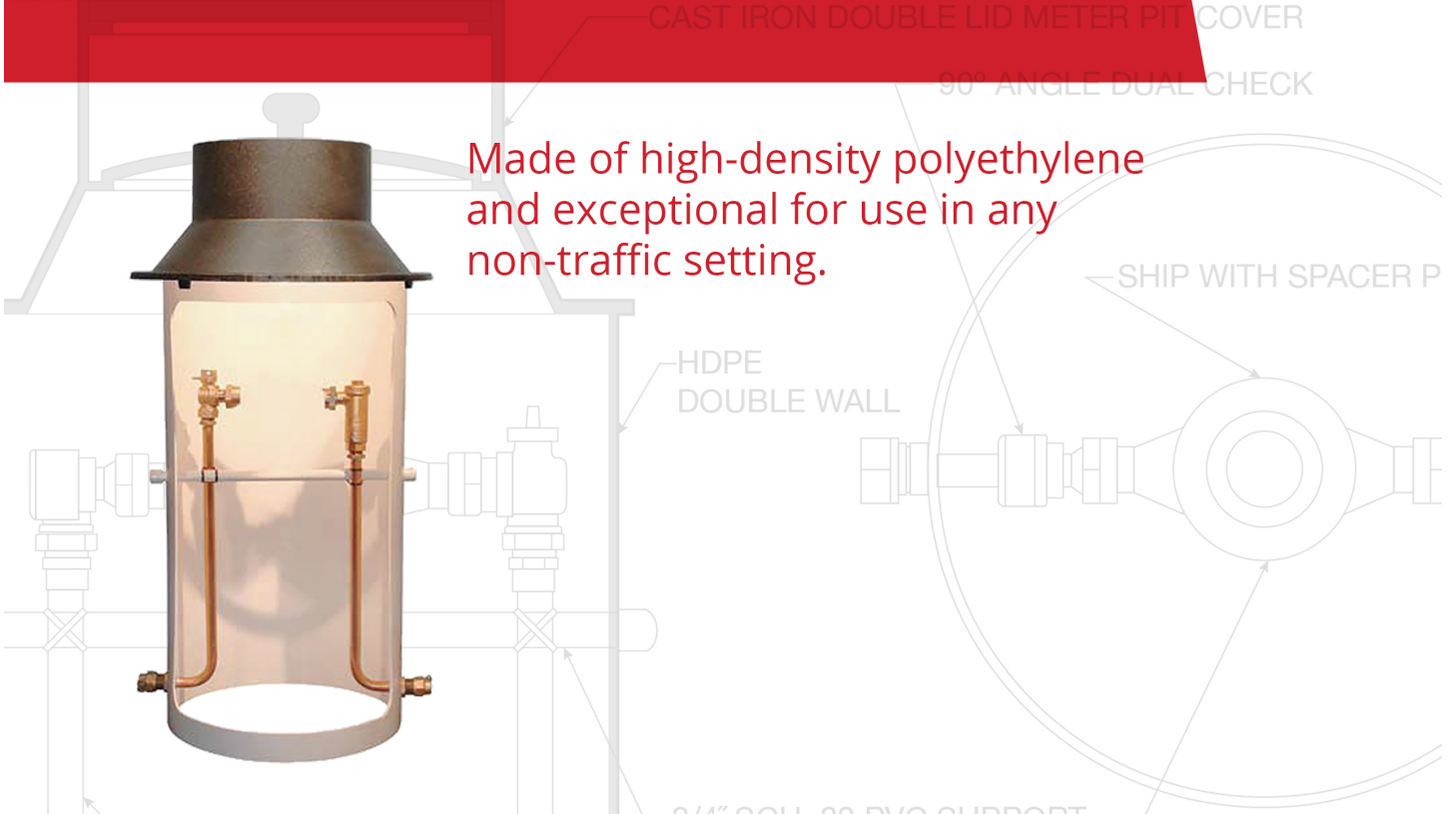
CAST IRON DOUBLE LID METER PIT COVER

90° ANGLE DUAL CHECK

SHIP WITH SPACER P

HDPE
DOUBLE WALL

3/4" COLL. 90 DEG. SUPPORT



High Density Polyethylene Pre-Fabricated Meter Pits



Lightweight But Strong

Our meter pits are made of high-density polyethylene and are exceptional for use in any non-traffic setting. Their light weight reduces labor costs with a one-man installation. A cast iron cover is included. Downsize inside or outside of the pit.

Wide Variety of Diameters & Options

Meter Pits come standard with compression inlets and outlets, however male or female thread, and flare connections are also available at no extra cost. Angle dual check valves are standard but we will gladly install any backflow per your specifications. Standard depth of bury is 5", deeper pits available upon request. Meter pits are always 100% customizable. Any pit can be made into a tandem or dual pit, just call and ask.



PRODUCT NUMBER	PIT DIAMETER	METER SIZE	INLET/OUTLET
MPI3012	20"	5/8"	3/4"
MPI3009	20"	3/4"	3/4"
MPI3003	20"	1"	1"
MPI3010	48"	1-1/2"	1-1/2"
MPI3005	48"	2"	2"

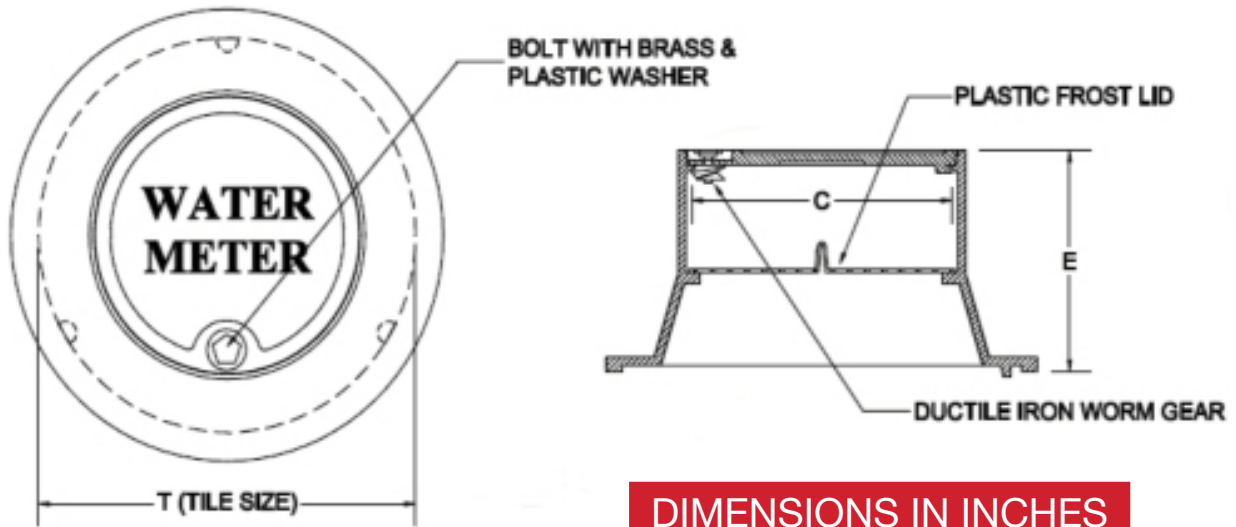
LEAD-FREE



800-356-8605 | REDHEDRI.COM

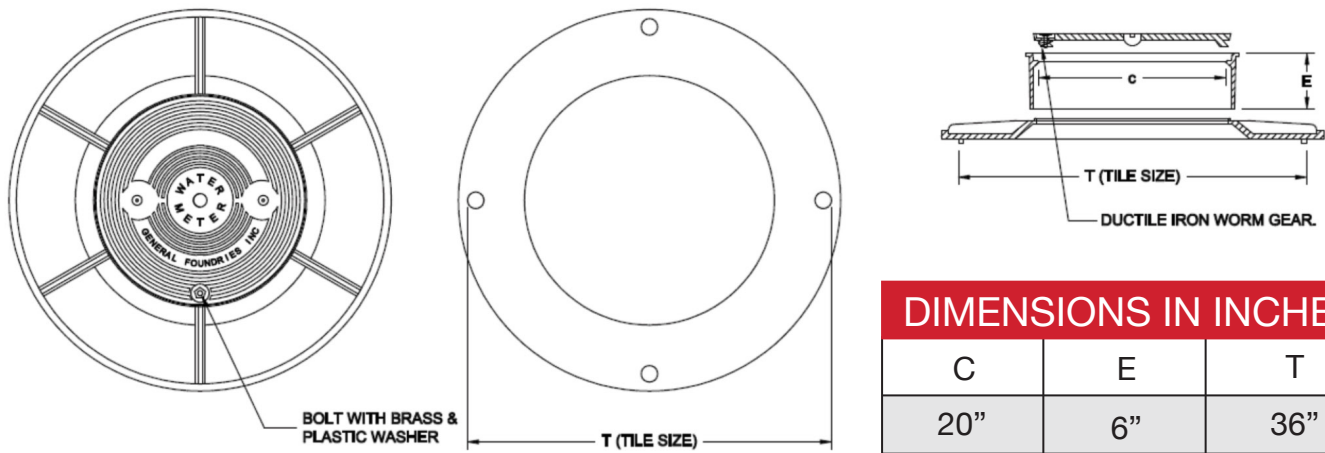
High Density Polyethylene Pre-Fabricated Meter Pits

5/8" - 1" Meter Pit Cover



DIMENSIONS IN INCHES		
C	E	T
11-1/2"	9-1/2"	20"

1-1/2" - 2" Meter Pit Cover

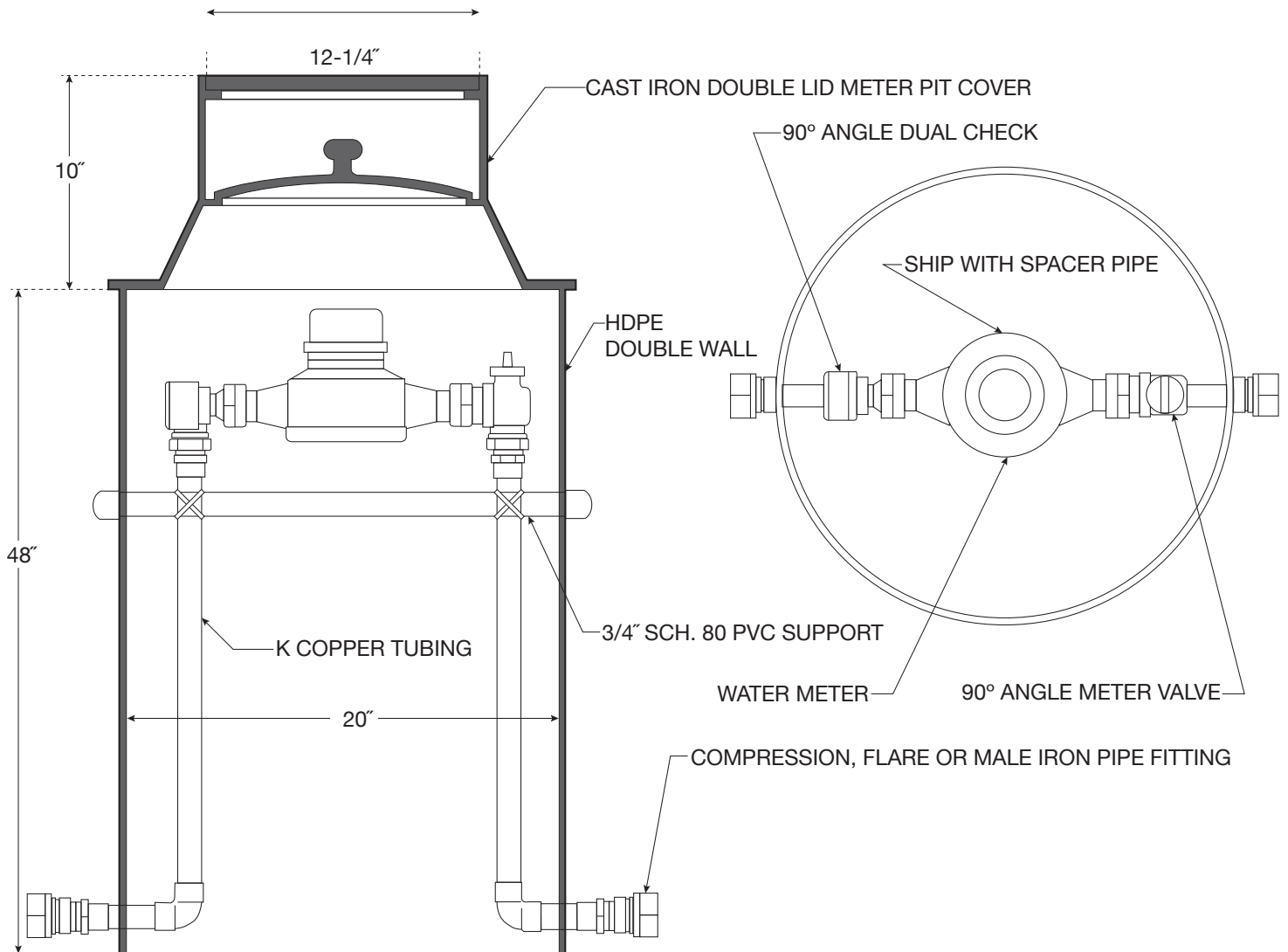


DIMENSIONS IN INCHES		
C	E	T
20"	6"	36"

LEAD-FREE

5/8" x 3/4" or 3/4" METER PIT

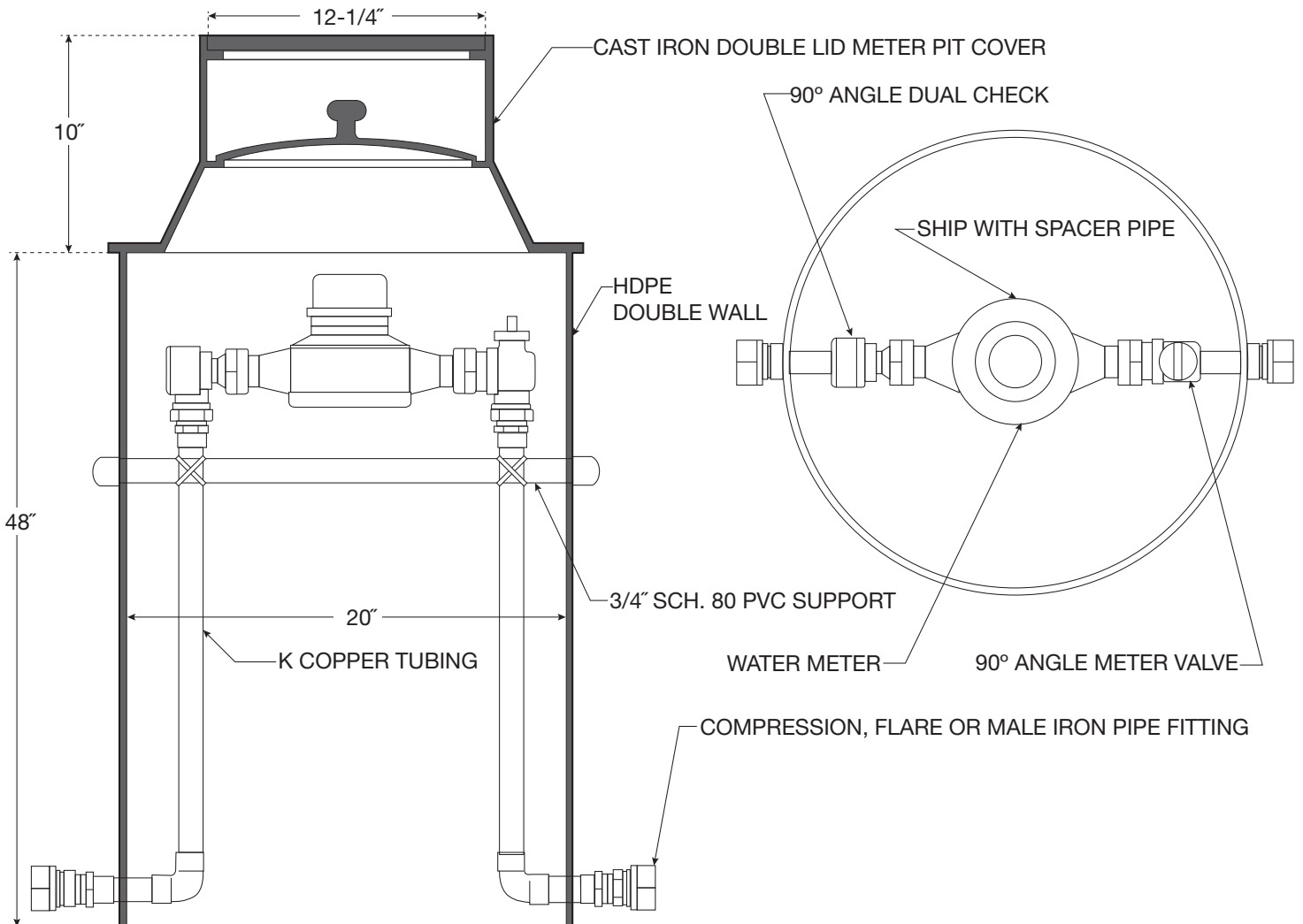
PART# MPI3009



LEAD-FREE

1" METER PIT

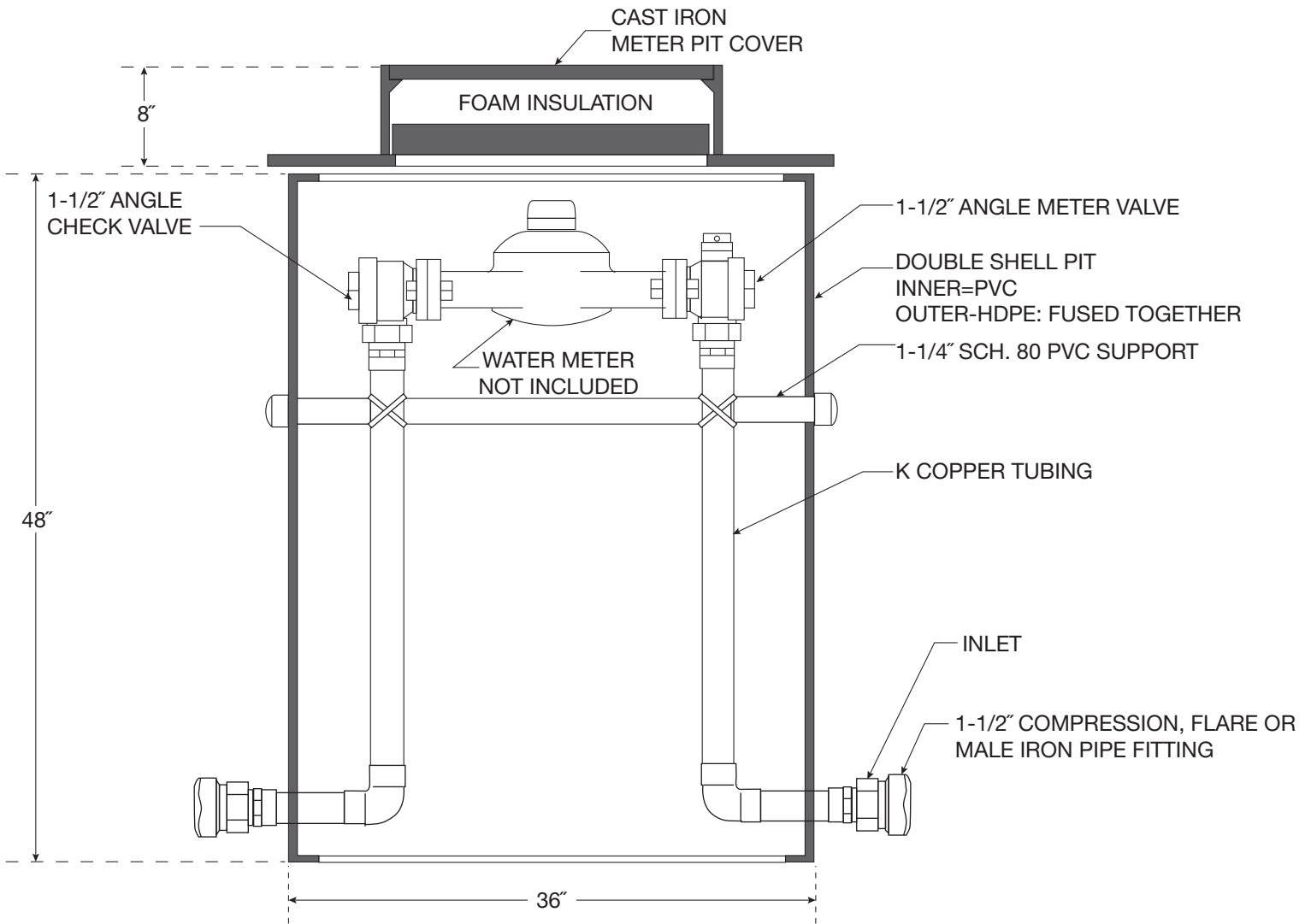
PART# MPI3003



LEAD-FREE

1-1/2" STANDARD METER PIT

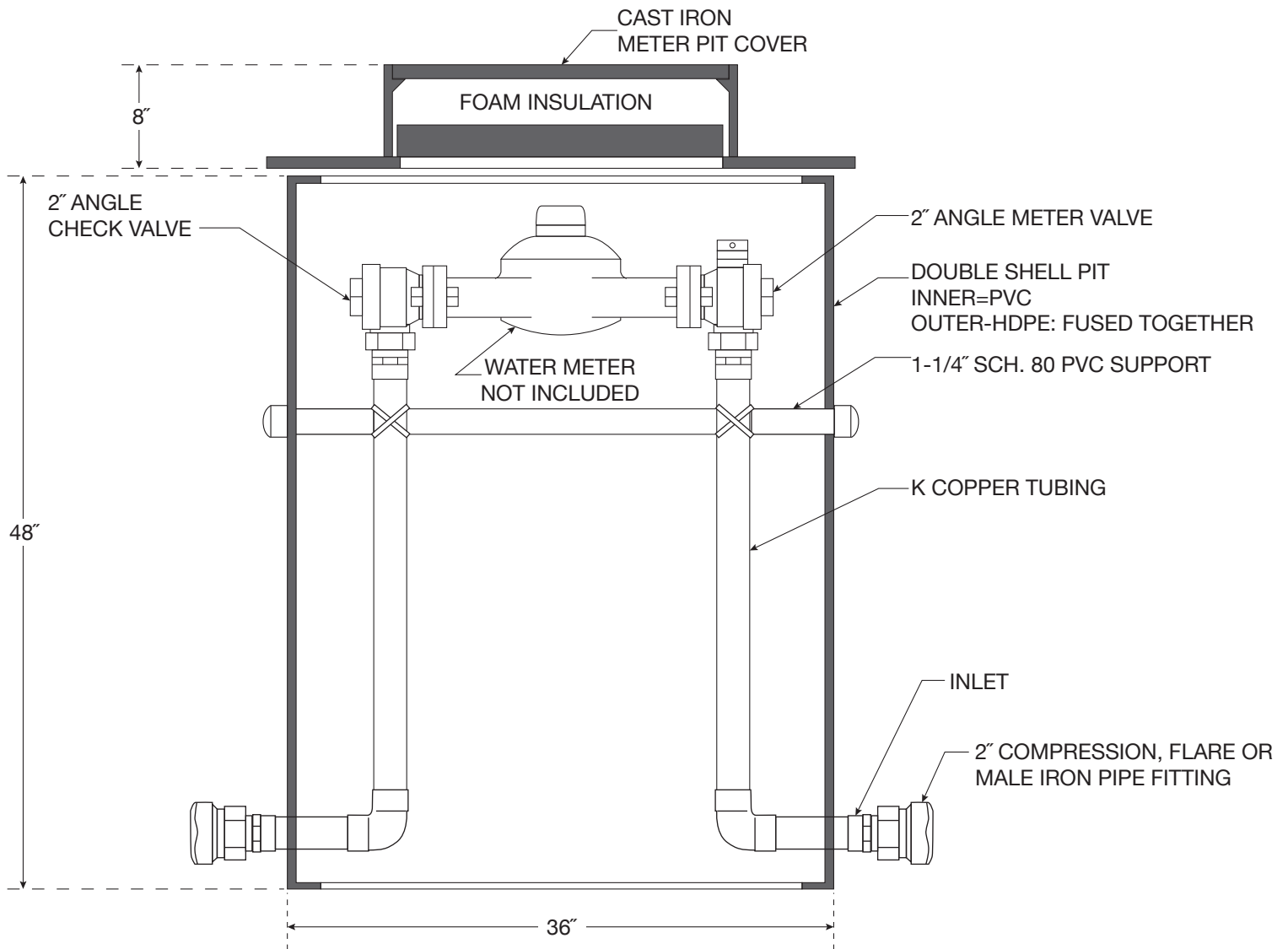
PART# MPI3010



LEAD-FREE

2" STANDARD METER PIT

PART# MPI3005



LEAD-FREE