

## Redi-Jack Pipe Supports

PRODUCT NO.	SUPPORT PLATE SIZE	DESCRIPTION
PS0236	2"	Redi-Jack Pipe Support
PS0336	3"	Redi-Jack Pipe Support
PS0436	4"	Redi-Jack Pipe Support
PS0636	6"	Redi-Jack Pipe Support
PS0836	8"	Redi-Jack Pipe Support
PS1036	10"	Redi-Jack Pipe Support
PS1236	12"	Redi-Jack Pipe Support
PS1436	14"	Redi-Jack Pipe Support
PS1636	16"	Redi-Jack Pipe Support
PS1836	18"	Redi-Jack Pipe Support
PS2036	20"	Redi-Jack Pipe Support
PS2436	24"	Redi-Jack Pipe Support

## Materials:

### Support plate:

Cast ductile iron  
ASTM A-536

### Adjustment nut:

1" - 8" finish nut plated  
ANSI-ASME B-18-2-2

### Adjustment stud:

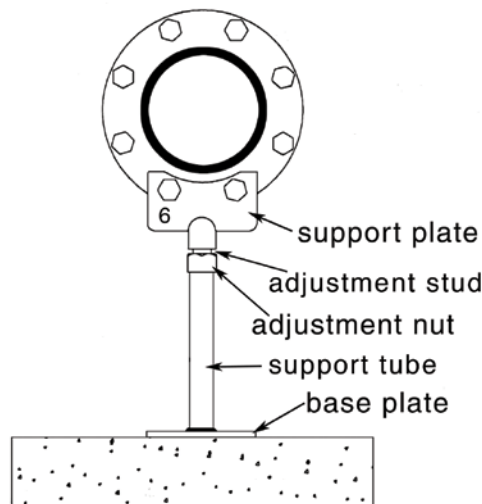
1" rolled threads steel plated  
ASTM A-307

### Main support tube:

Steel pipe, schedule 40  
ASTM A-53

### Base plate:

Hot rolled 1/4" steel  
ASTM A-36



An adjustable, ready-to-use stand designed to meet all your piping support needs.

**Red Hed** provides a unique product perfect for supporting large water meters and backflow devices. The **Redi-Jack Pipe Support**, unlike other designs, features a one-piece support plate and a support tube that can be cut to size in the field. Both the support plate and the base plate are drilled so that the stand can be securely anchored. **Red Hed's** quality construction, including black rustproof paint, assures long-lasting service.

- One-piece support plate
- Comes as a complete assembly
- Provided with rustproof finish
- Support plate available in 2" - 24" sizes
- Standard 3' height; other sizes available

### RED HED MANUFACTURING COMPANY

*Division of Everett J. Prescott, Inc.*

38 Albion Road, Route 123, Lincoln, RI 02865  
401-333-1317 • 1-800-356-8605  
FAX: 401-333-9035  
sales@redhedri.com • www.redhedri.com